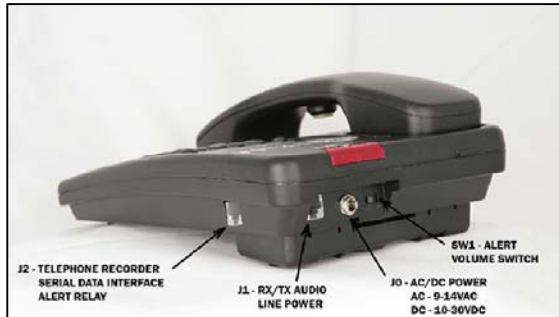




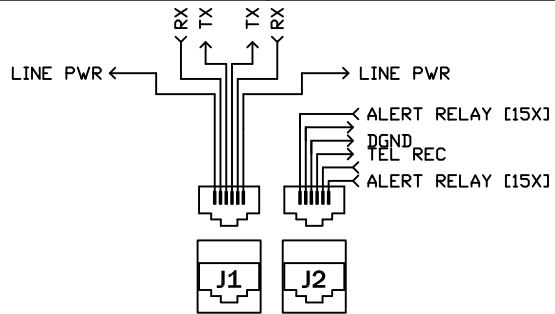
**SPECIFICATIONS**

HEIGHT: 3.25" (82.6mm)  
 WIDTH: 6.0" (152.4mm)  
 DEPTH: 9.13" (231.9mm)  
 WEIGHT: 2.0# (.90kg)  
 POWER: 9-14 VAC, 10-30VDC  
 CURRENT: 350mA  
 OPERATING TEMP: 40-100°F (4-38°C)  
 RECEIVE LEVEL: -4dBm  
 TRANSMIT LEVEL: 0dBm  
 FREQ. RESPONSE: 300HZ-3KHZ +/- 2dB  
 LINE PORT PWR: 12-30VDC (.5A min)



**JUMPERS - PCB 0K3100R0**

JMP4 1 2 3  
 RX SPK MV=0  
 -



**SELF TEST MODE**

APPLY POWER TO BACK PANEL, PLUG THE LOOPBACK CONNECTOR INTO THE LINE JACK (J1), REMOVE HANDSET FROM CRADLE, ADJUST VOLUME CONTROL FOR 9:00 O'CLOCK POSITION, PRESS THE HOOKSWITCH IN THE CRADLE WITH ONE HAND WHILE PRESSING THE PTT BUTTON WITH THE OTHER HAND AND SPEAK INTO HANDSET MIKE (HTX), THE SPOKEN AUDIO WILL EMANATE FROM THE INTERNAL SPEAKER IN THE ENCLOSURE BASE AND THE RECEIVER IN THE HANDSET (HRX).

TO AVOID FEEDBACK, KEEP THE HANDSET MIKE AWAY FROM THE INTERNAL SPEAKER.



**OKphone, LLC**

OKphone  
 BASIC AUDIO TERMINAL MODEL 10x

SIZE ⊙	FSCM NO.	DWG NO. 10x	REV 2
SCALE	09-10-18	SHEET 1 OF 1	

DON KELLEY