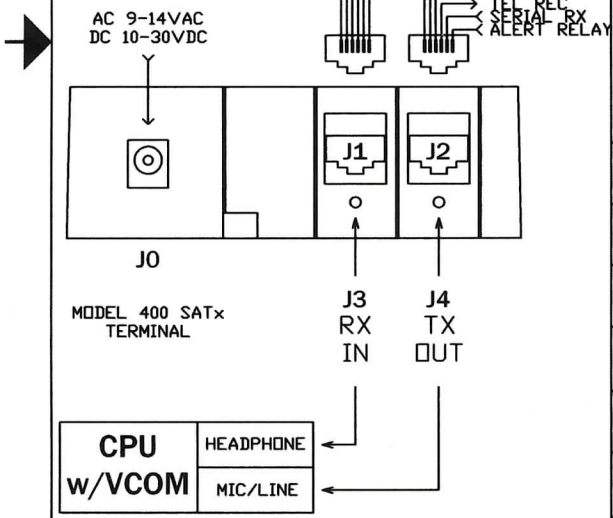
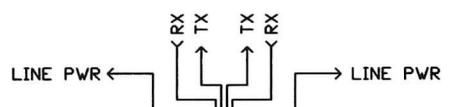
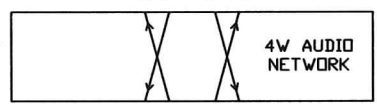
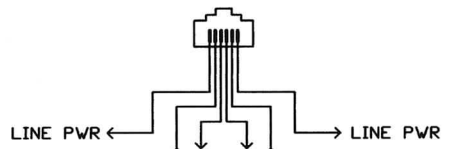
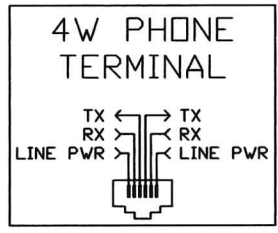


REVISIONS

ZONE	REV	DESCRIPTION	DATE	APPROVED
------	-----	-------------	------	----------



SPECIFICATIONS

HEIGHT:	5.25"	(133.4mm)
WIDTH:	7.63"	(193.8mm)
DEPTH:	8.5"	(215.9mm)
WEIGHT:	2.25#	(1.02kg)
POWER:	9-14 VAC, 10-30VDC	
CURRENT:	350mA	
OPERATING TEMP:	40-100°F (4-38°C)	
RECEIVE LEVEL:	-4dBm, -8dBm	
TRANSMIT LEVEL:	-12dBm > 0dBm, ADJ.	
FREQ. RESPONSE:	300HZ-3KHZ +/- 2dB	
LINE PORT PWR:	12-30VDC (.5A min)	

JUMPERS - PCB 1500R0

JMP0	1 5V BIAS = LOCAL 2 5V BIAS = USB 3	1 HANDSET A BIAS 2 HANDSET B BIAS 3	JMP7A
JMP1	1 MIN VOLUME=0 2 MIN VOLUME=MIN 3	1 HANDSET A GAIN 2 HANDSET B GAIN 3	JMP7B
JMP2	1 uP PROGRAM 2 RUN 3	1 J3/J4 SEL 2 3	JMP8
JMP3	1 HTX GAIN = +40dB 2 HTX GAIN = 0dB 3	1 TX OUT - J1 2 TX OUT - J4 3	JMP9
JMP4	1 RX IN = -8dBm 2 RX IN = -4dBm 3	1 J2 SEL 2 3	JMP10
JMP5	1 TX OUT = -8dBm 2 TX OUT = 0dB 3	ALERT & ST RELAY	JMP11
JMP6	1 ALERT RELAY NC 2 ALERT RELAY NO 3	1 TX PORT SEL - S 2 TX PORT SEL - M 3	JMP12



**OKphone, LLC**

DIGI4WIRE  
SMART TERMINAL MODEL 400

SIZE	FSCM NO.	DWG NO.	REV
SCALE	04-25-11	68-400	0
DON KELLEY		SHEET 1 OF 1	