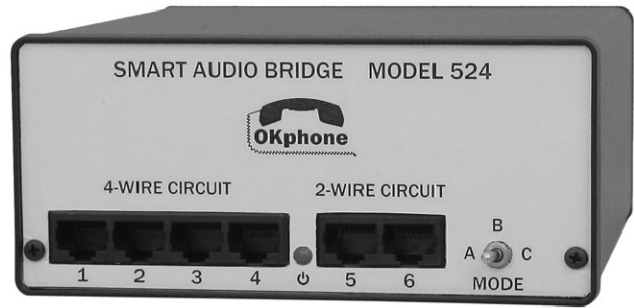


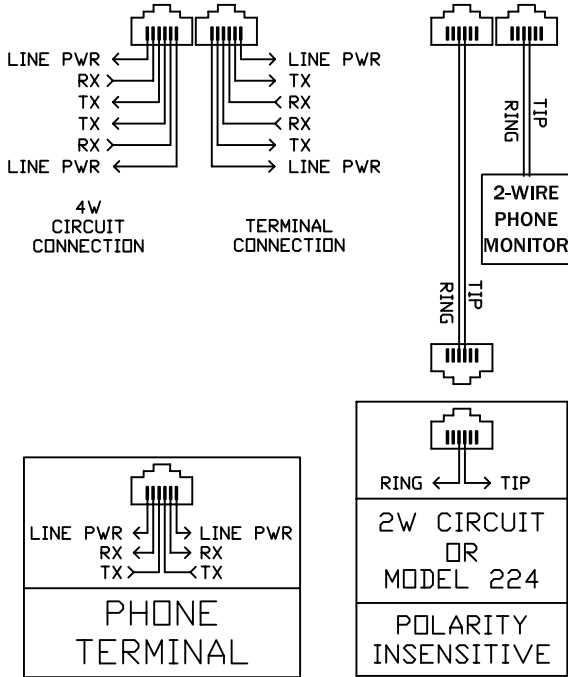
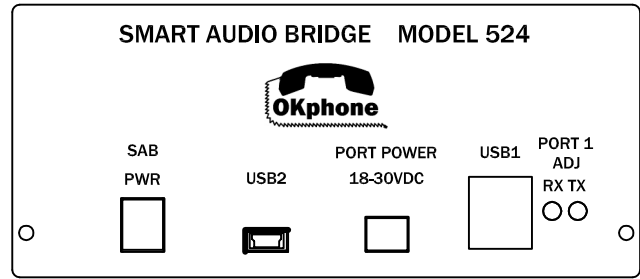
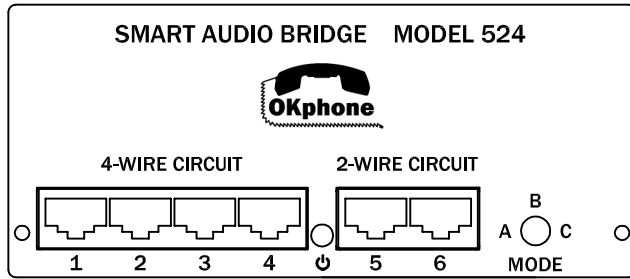
REVISIONS				
ZONE	REV	DESCRIPTION	DATE	APPROVED

PORT CONFIG	RX LEVELS	TX LEVELS
JMP1-4	JMP1A	JMP1B
CIRCUIT PORT	1 <input type="checkbox"/> -4dBm 2 <input type="checkbox"/> 3 <input type="checkbox"/> 4 <input type="checkbox"/>	1 <input type="checkbox"/> -4dBm 2 <input type="checkbox"/> 3 <input type="checkbox"/> 4 <input type="checkbox"/>
TERMINAL PORT	1 <input type="checkbox"/> -8dBm 2 <input type="checkbox"/> 3 <input type="checkbox"/> 4 <input type="checkbox"/>	1 <input type="checkbox"/> -8dBm 2 <input type="checkbox"/> 3 <input type="checkbox"/> 4 <input type="checkbox"/>
	1 <input type="checkbox"/> VAR 2 <input type="checkbox"/> 3 <input type="checkbox"/> 4 <input type="checkbox"/>	1 <input type="checkbox"/> VAR 2 <input type="checkbox"/> 3 <input type="checkbox"/> 4 <input type="checkbox"/>
	JMP2A-4A	JMP2B-4B
	<input type="checkbox"/> -4dBm 1 2 3	<input type="checkbox"/> -4dBm 1 2 3
	<input type="checkbox"/> -8dBm 1 2 3	<input type="checkbox"/> -8dBm 1 2 3



FRONT PANEL

BACK PANEL



SPECIFICATIONS

HEIGHT:	2.5"	(38.1mm)
WIDTH:	5.5"	(139.7mm)
DEPTH:	6.5"	(165.1mm)
WEIGHT:	1.2#	(.6kg)
POWER:	9-14 VAC, 10-30VDC	
CURRENT:	100mA	
OPERATING TEMP:	40-100°F (4-38°C)	
RECEIVE LEVEL:	4W(-8dBm)...2W(-9dBm)	
TRANSMIT LEVEL:	4W(-8dBm)...2W(-9dBm)	
FREQ. RESPONSE:	300HZ-3KHZ +/- 2dB	
LINE PORT PWR:	18-30VDC (3A min)	
PORT 1: RX-TX AUDIO LEVEL ADJUST		
DEFAULT CONFIG: PORT 1=CIRCUIT, RX=-8dBm, TX=-8dBm PORT 2-n=TERM, RX=-8dBm, TX=-8dBm		
2W DAA - PART 68 COMPLIANT		



**OKphone, LLC**

SMART AUDIO BRIDGE MODEL 524

SIZE	FSCM NO.	DWG NO.	REV
		68-524	0
DON KELLEY		SCALE	04-19-14 SHEET 1 OF 1